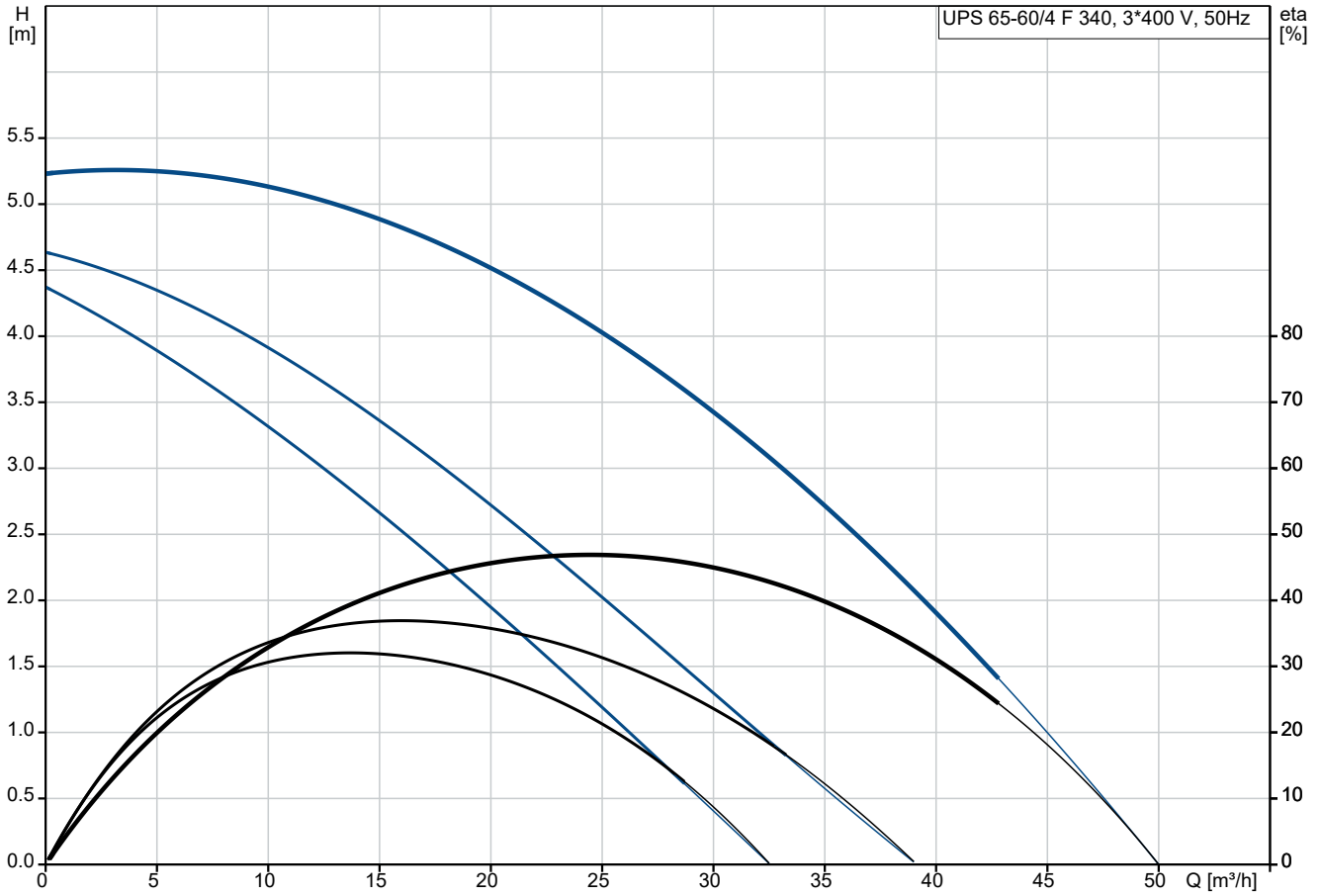
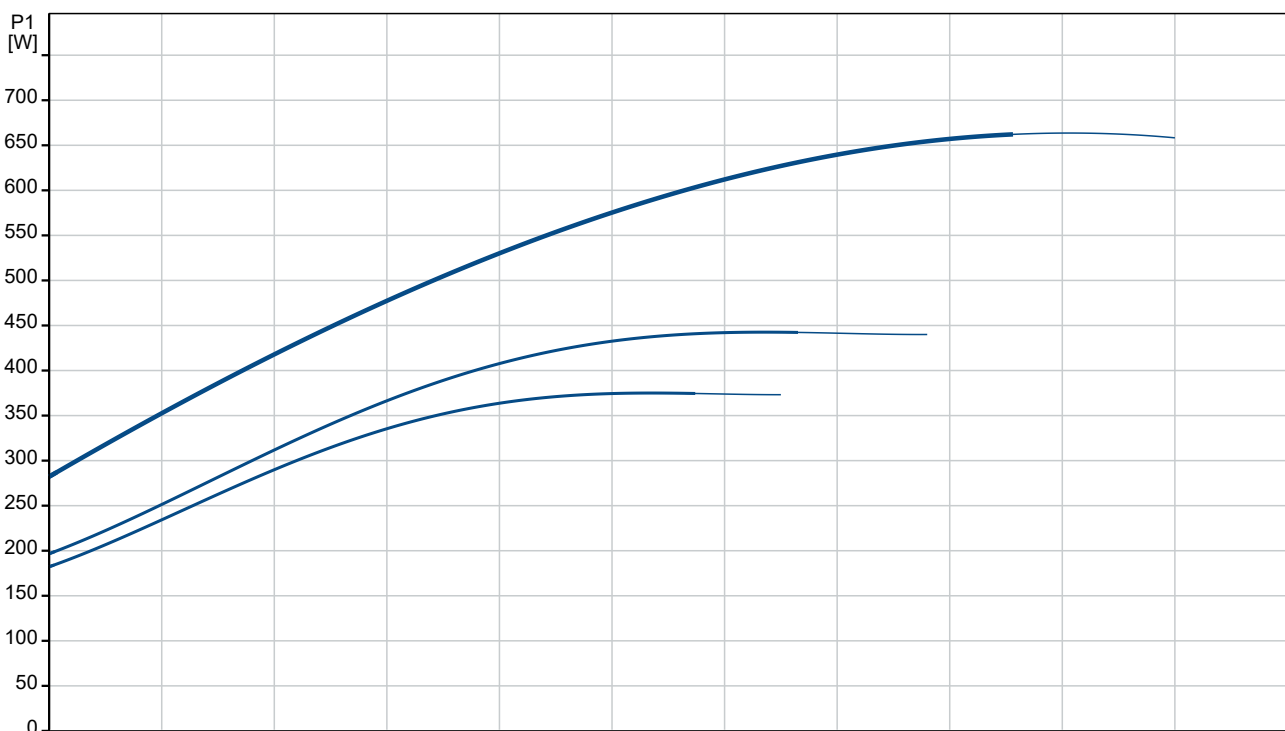


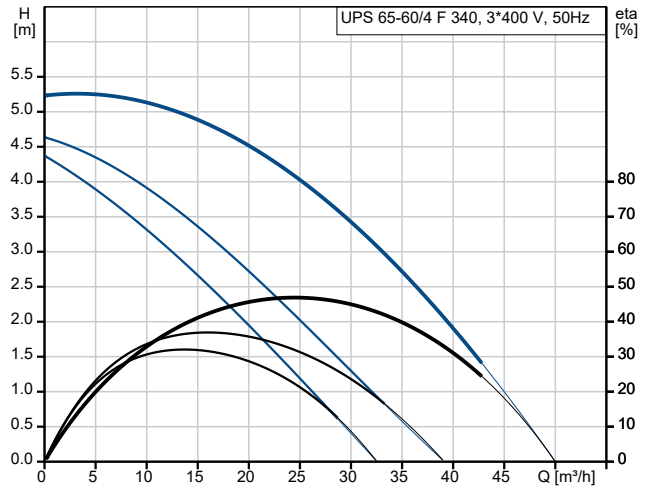
## 96402229 UPS 65-60/4 F 340 50 Hz



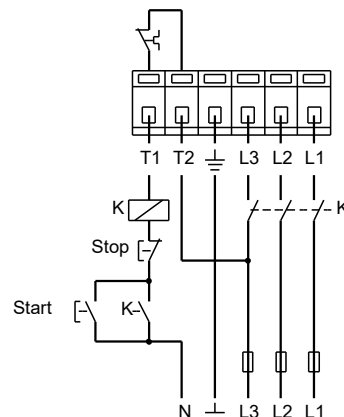
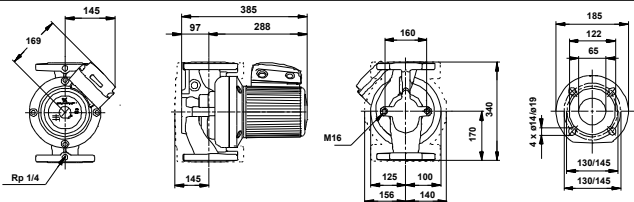
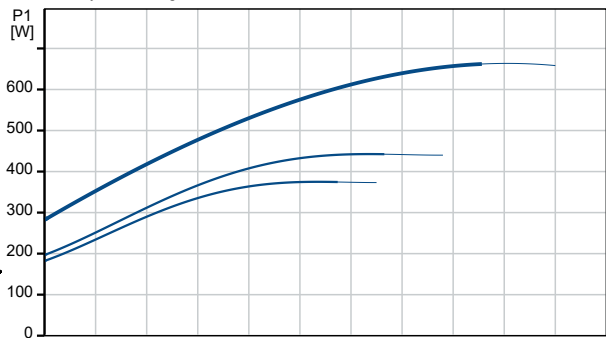
Pumped liquid = Water  
 Liquid temperature during operation = 60 °C  
 Density = 983.2 kg/m³



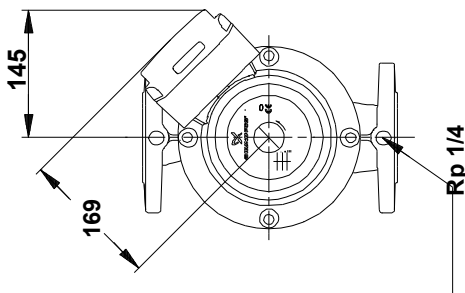
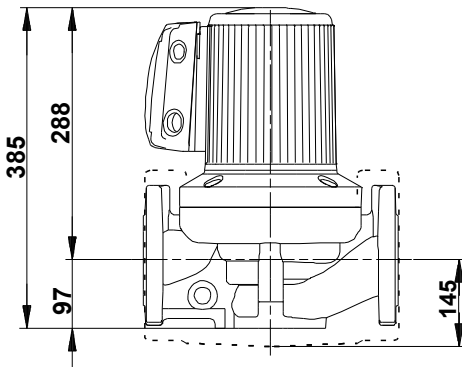
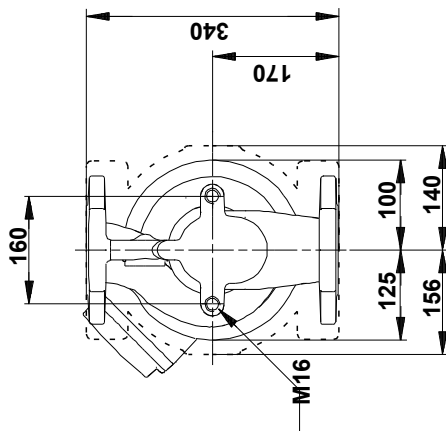
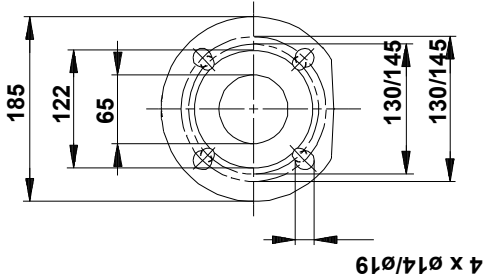
Description	Value
<b>General information:</b>	
Product name:	UPS 65-60/4 F 340
Product No:	96402229
EAN number:	5708601058967
Price:	
<b>Technical:</b>	
Speed no:	3
Maximum head:	60 dm
Approvals:	AAA,EAC
<b>Materials:</b>	
Pump housing:	Cast iron
Pump housing:	EN 1561 EN-GJL-250
Pump housing:	35 B - 40 B
Impeller:	Stainless steel
Impeller:	EN 1.4301
Impeller:	AISI 304
<b>Installation:</b>	
Range of ambient temperature:	0 .. 40 °C
Maximum operating pressure:	10 bar
Type of connection:	DIN
Size of connection:	DN 65
Pressure rating for connection:	PN 6/10
Port-to-port length:	340 mm
<b>Liquid:</b>	
Pumped liquid:	Water
Liquid temperature range:	-10 .. 120 °C
Selected liquid temperature:	60 °C
Density:	983.2 kg/m <sup>3</sup>
<b>Electrical data:</b>	
Power input in speed 1:	380 W
Power input in speed 2:	440 W
Max. power input:	660 W
Mains frequency:	50 Hz
Rated voltage:	3 x 400-415 V
Current in speed 1:	0.68 A
Current in speed 2:	0.8 A
Current in speed 3:	1.35 A
Cos phi in speed 1:	0.81
Cos phi in speed 2:	0.79
Cos phi:	0.71
Insulation class (IEC 85):	H
Enclosure class (IEC 60529):	X4D
Built-in motor protection:	CONTACT
Thermal protection:	EXT.
<b>Controls:</b>	
Relay:	N
<b>Others:</b>	
Terminal box position:	1.30H
Net weight:	33.9 kg
Gross weight:	34.5 kg
Shipping volume:	0.055 m <sup>3</sup>
Norwegian NRF no.:	9042436



Pumped liquid = Water  
 Liquid temperature during operation = 60 °C  
 Density = 983.2 kg/m<sup>3</sup>



## 96402229 UPS 65-60/4 F 340 50 Hz



Note! All units are in [mm] unless others are stated.  
Disclaimer: This simplified dimensional drawing does not show all details.